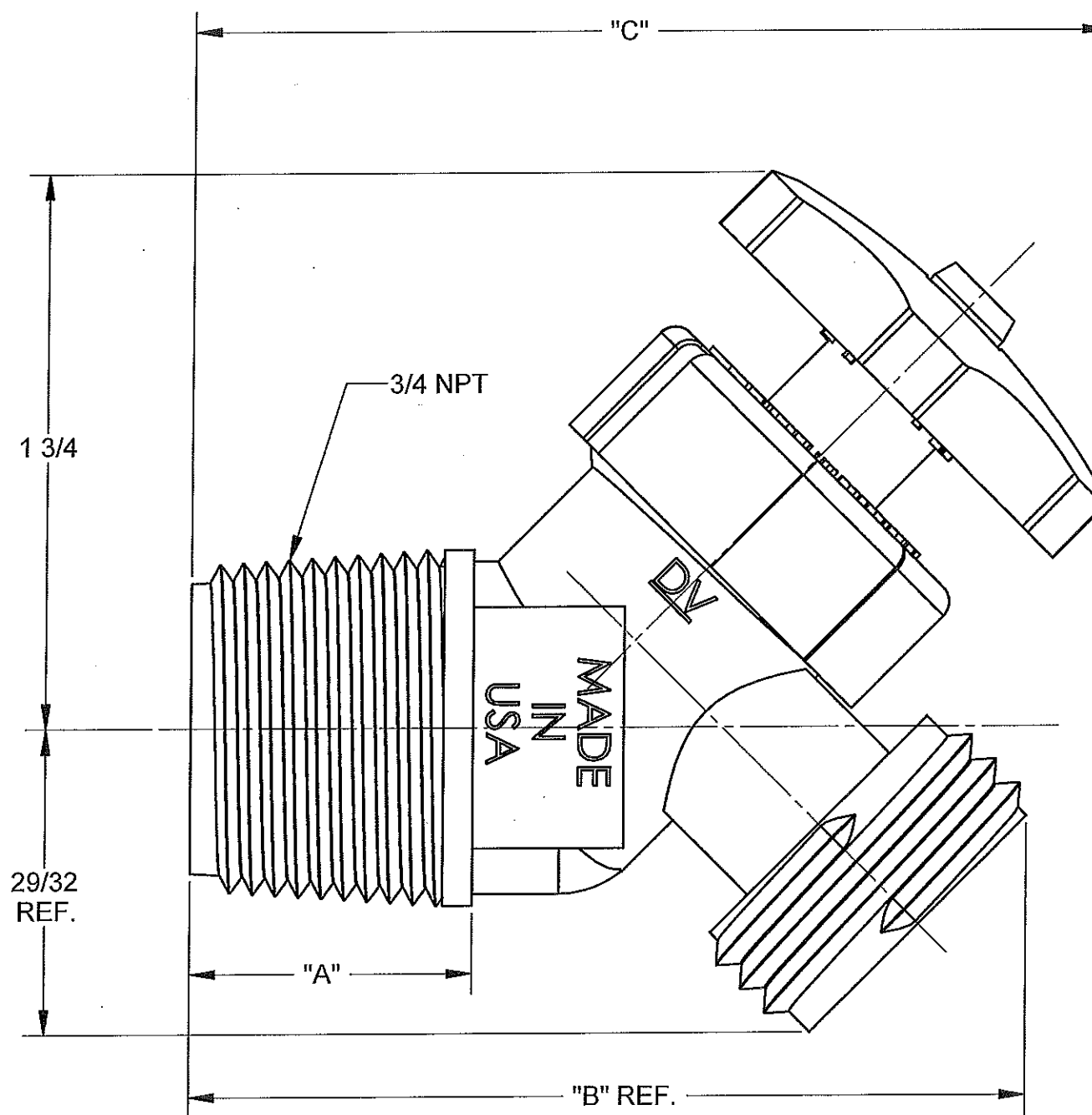


TABLE 1					
SIZE	APCOM PART NUMBER	BODY MATERIAL	"A"	"B"	"C"
7/8	042037-100	NYLON	7/8	2-19/32	2-13/16
1-1/4	042037-000	NYLON	1-1/4	2-31/32	3-3/16
	042037-006	AMODEL			
1-3/4	042037-001	NYLON	1-3/4	3-15/32	3-3/4
2	042037-004		2	3-23/32	4
	042037-007	AMODEL			
2-1/2	042037-003	NYLON	2-1/2	4-7/32	4-1/2
3	042037-002	NYLON	3	4-23/32	5
	042037-009	AMODEL			



CONTROLLED
ISSUED

NOV 21 2013

ORIGINAL

PART NUMBER 042037-SLS



FRANKLIN,
TN U.S.A.
www.apcom-inc.com

TITLE: ASSEMBLY, DRAIN VALVE II

MATERIAL:

CONFIDENTIAL

THIS DOCUMENT IS, AND CONTAINS, CONFIDENTIAL AND TRADE SECRET INFORMATION OF APCOM.

THIS DOCUMENT IS LOANED FOR LIMITED PURPOSES ONLY, AND REMAINS THE PROPERTY OF APCOM. IT IS TO BE RETURNED UPON REQUEST, AND IN ALL EVENTS UPON COMPLETION OF THE PURPOSE OF THE LOAN.

NEITHER IT, NOR THE INFORMATION IT CONTAINS, MAY BE REPRODUCED, USED, OR DISCLOSED TO PERSONS NOT HAVING A NEED TO KNOW CONSISTENT WITH THE PURPOSE OF THE LOAN, WITHOUT WRITTEN CONSENT OF APCOM.

UNSPECIFIED TOLERANCES:
2 PLACE DEC. ±.010 | FRACT. ±1/32
3 PLACE DEC. ±.005 | ANGLES ±2°
ALL DIMENSIONS IN INCHES UNLESS OTHERWISE SPECIFIED. METRIC UNITS ARE DISPLAYED AS [XXX]

DRAWN: MUNGUIA, J

DATE: 12/19/2006

CHECKED: *mm 11/21/13*

SCALE: 2:1

APPROVED: *[Signature]* 11/21/13

DRAWING NUMBER: 042037