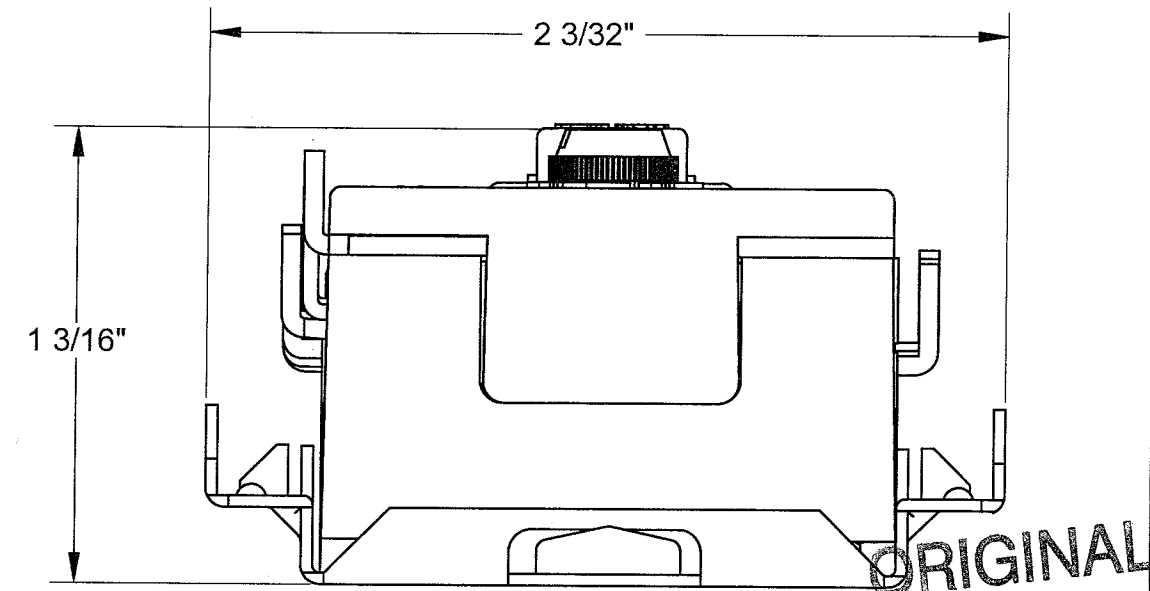
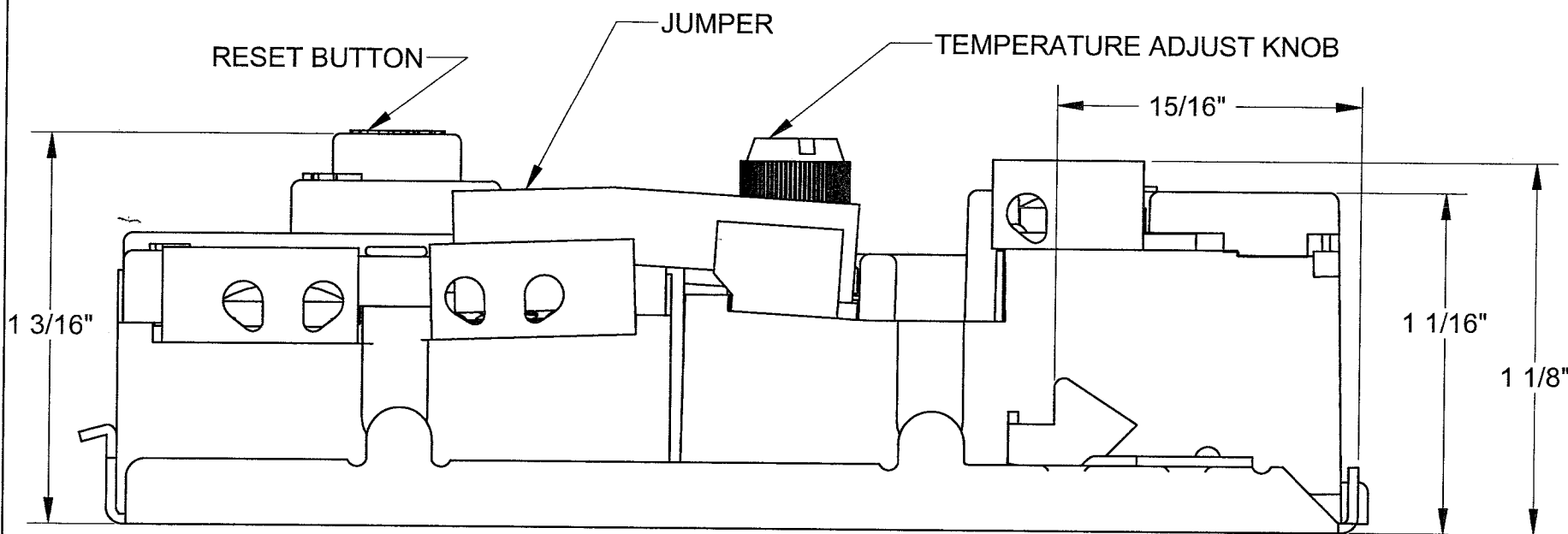


APCOM WL6180 HIGH LIMIT CONTROL:

1. OPEN TEMPERATURE: 180±5°F.
2. ELECTRICAL RATING: REF. COVER OF WL6 ON THIS DWG. U/L AND CSA AGENCY APPROVED.

APCOM WH9 THERMOSTAT:

1. CALIBRATED TO 120±5°F AT "HOT" INDICATOR SETTING.
2. TEMPT. RANGE: 110° TO 160°F.
3. TEMPT. DIFFERENTIAL: 7° TO 17°F BELOW CALIBRATION TEMPERATURE.
4. ELECTRICAL RATING: REF. COVER OF WH9 ON THIS DRAWING. U/L AND CSA AGENCY APPROVED.



PART NO. 183533-000 (21993)

MATERIAL:		FRANKLIN, TN U.S.A. www.apcom-inc.com	
CONFIDENTIAL THIS DOCUMENT IS, AND CONTAINS, CONFIDENTIAL AND TRADE SECRET INFORMATION OF APCOM. THIS DOCUMENT IS LOANED FOR LIMITED PURPOSES ONLY, AND REMAINS THE PROPERTY OF APCOM. IT IS TO BE RETURNED UPON REQUEST, AND IN ALL EVENTS UPON COMPLETION OF THE PURPOSE OF THE LOAN. NEITHER IT, NOR THE INFORMATION IT CONTAINS, MAY BE REPRODUCED, USED, OR DISCLOSED TO PERSONS NOT HAVING A NEED TO KNOW CONSISTENT WITH THE PURPOSE OF THE LOAN, WITHOUT WRITTEN CONSENT OF APCOM.		UNSPECIFIED TOLERANCES: 2 PLACE DEC. ±.010 FRACT. ±1/32 3 PLACE DEC. ±.005 ANGLES ±2° ALL DIMENSIONS IN INCHES UNLESS OTHERWISE SPECIFIED. METRIC UNITS ARE DISPLAYED AS [XXX]	
TITLE: THERMOSTAT, WH9WL6180		CHECKED: Jeff Baxter 04/12/06	APPROVED: [Signature] 04/20/06
DRAWN: E. WHEELER	DATE: 12/14/2005	SCALE: 2:1	DRAWING NUMBER: 183533-XXX

REV.	DCN	DESCRIPTION	DATE
00	A7362	INITIAL DRAWINGS	12/14/2005