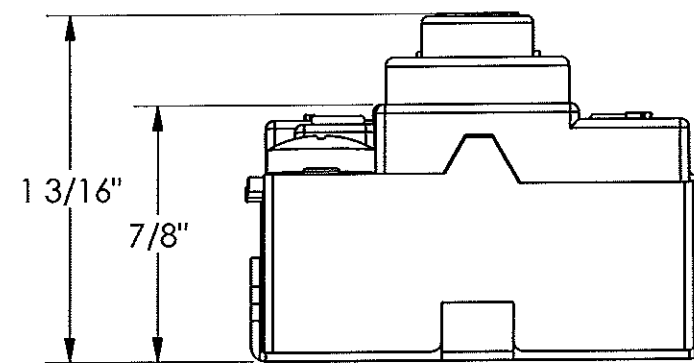
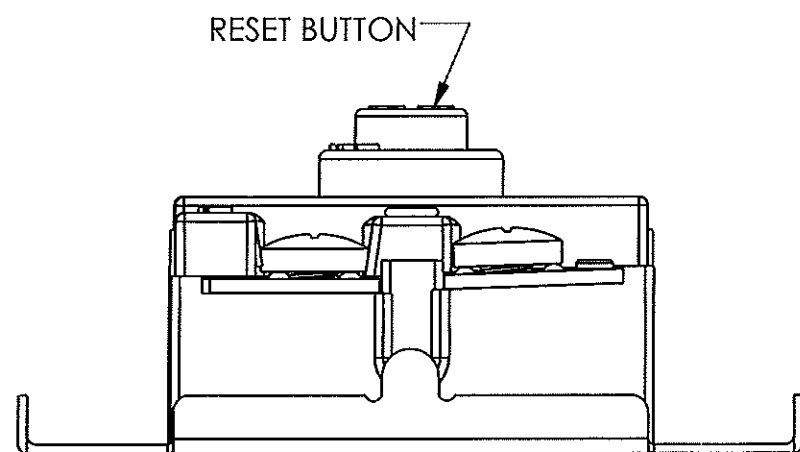


**APCOM WL6 HIGH LIMIT CONTROL:**  
 A) OPEN TEMPERATURE:  $180^{\circ} \pm 5^{\circ}$  F  
 B) ELECTRICAL RATING: REF. COVER OF WL6 ON THIS DWG. U/L AND CSA AGENCY APPROVED.



ORIGINAL

PART NUMBER 325327-000

**APCOM** FRANKLIN, TN U.S.A.  
www.apcom-inc.com

TITLE: THERMOSTAT, WL6 L180

MATERIAL:		UNSPECIFIED TOLERANCES: 2 PLACE DEC. $\pm 0.10$   FRACT. $\pm 1/32$ 3 PLACE DEC. $\pm 0.005$   ANGLES $\pm 2^{\circ}$ ALL DIMENSIONS IN INCHES UNLESS OTHERWISE SPECIFIED. METRIC UNITS ARE DISPLAYED AS [XXX]	
<b>CONFIDENTIAL</b> THIS DOCUMENT IS, AND CONTAINS, CONFIDENTIAL AND TRADE SECRET INFORMATION OF APCOM. THIS DOCUMENT IS LOANED FOR LIMITED PURPOSES ONLY, AND REMAINS THE PROPERTY OF APCOM. IT IS TO BE RETURNED UPON REQUEST, AND IN ALL EVENTS UPON COMPLETION OF THE PURPOSE OF THE LOAN. NEITHER IT, NOR THE INFORMATION IT CONTAINS, MAY BE REPRODUCED, USED, OR DISCLOSED TO PERSONS NOT HAVING A NEED TO KNOW CONSISTENT WITH THE PURPOSE OF THE LOAN, WITHOUT WRITTEN CONSENT OF APCOM.		DRAWN: CROSS, S	CHECKED: <i>Jeff Bartley</i> 11/07/12
00 REV.	A11569 DCN	INITIAL RELEASE DESCRIPTION	DATE 11/7/2012
		SCALE: 1.5:1	DRAWING NUMBER: 325327
		DATE: 11/7/2012	APPROVED: <i>[Signature]</i> 11/7/12

00	A11569	INITIAL RELEASE	11/7/2012
REV.	DCN	DESCRIPTION	DATE