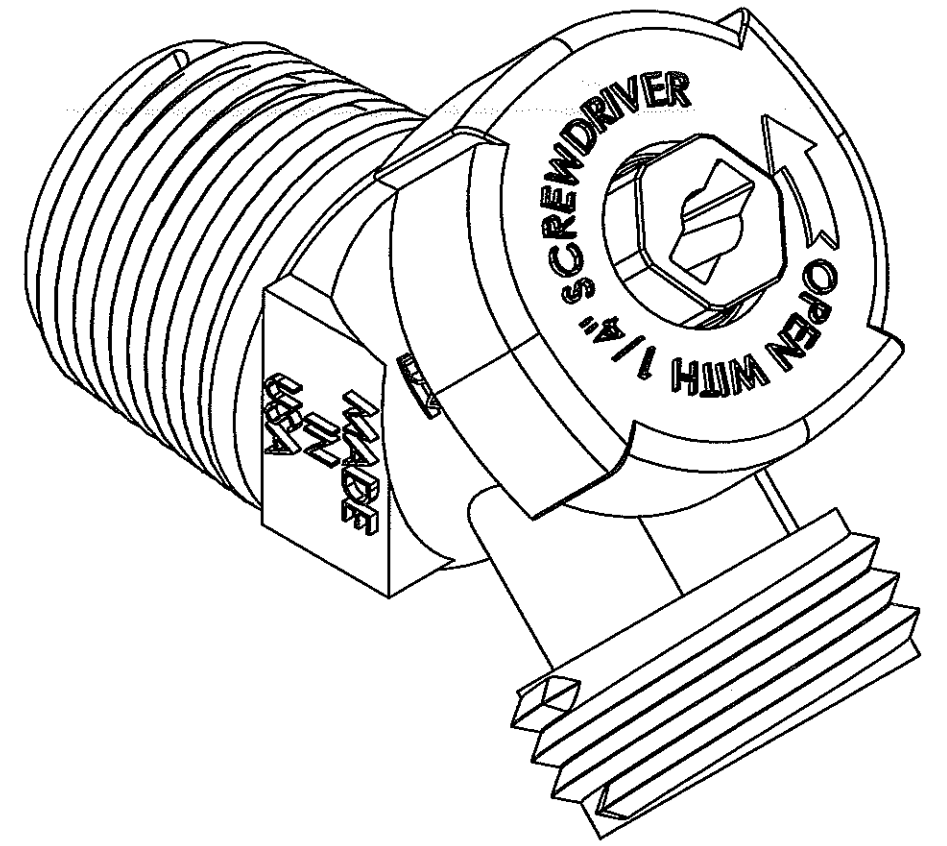
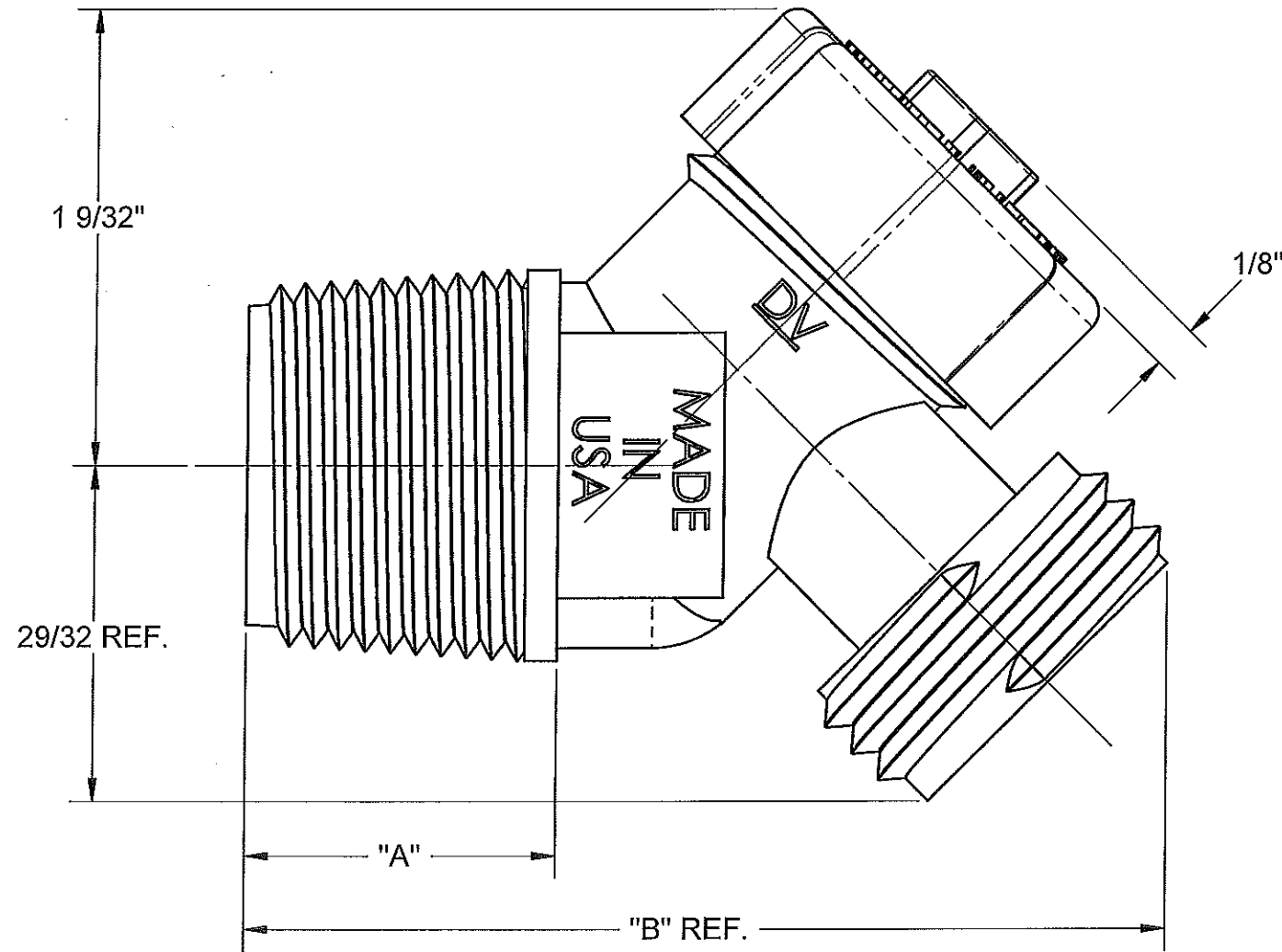


TABLE 1					
SIZE	APCOM P/N	BODY MATERIAL	"A"	"B"	"C"
7/8	700527-000	NYLON	7/8	2-19/32	2-13/32
1-1/4	700527-005		AMODEL	1-1/4	2-31/32
	700527-006				
1-3/4	700527-004	NYLON	1-3/4	3-15/32	3-11/32
2	700527-001		2	3-23/32	3-19/32
2-1/2	700527-002		2-1/2	4-7/32	4-3/32
3	700527-003		3	4-23/32	4-19/32



CONTROLLED
ISSUED
NOV 21 2013
ORIGINAL

PART NUMBER 700527-SLS

APCOM FRANKLIN, TN U.S.A.
www.apcom-inc.com

MATERIAL: SEE TABLE 1

CONFIDENTIAL
THIS DOCUMENT IS, AND CONTAINS, CONFIDENTIAL AND TRADE SECRET INFORMATION OF APCOM.
THIS DOCUMENT IS LOANED FOR LIMITED PURPOSES ONLY, AND REMAINS THE PROPERTY OF APCOM. IT IS TO BE RETURNED UPON REQUEST, AND IN ALL EVENTS UPON COMPLETION OF THE PURPOSE OF THE LOAN.
NEITHER IT, NOR THE INFORMATION IT CONTAINS, MAY BE REPRODUCED, USED, OR DISCLOSED TO PERSONS NOT HAVING A NEED TO KNOW CONSISTENT WITH THE PURPOSE OF THE LOAN, WITHOUT WRITTEN CONSENT OF APCOM.

UNSPECIFIED TOLERANCES:
2 PLACE DEC. ±.010 | FRACT. ±1/32
3 PLACE DEC. ±.005 | ANGLES ±2°
ALL DIMENSIONS IN INCHES UNLESS OTHERWISE SPECIFIED. METRIC UNITS ARE DISPLAYED AS [XXX]

DRAWN: MUNGUA, J
DATE: 12/10/2007

TITLE: ASSEMBLY, CHILD RESIST. VALVE

CHECKED: *ma u/21/13*
APPROVED: *[Signature]* 11/21/13

SCALE: 1:1
DRAWING NUMBER: 700527