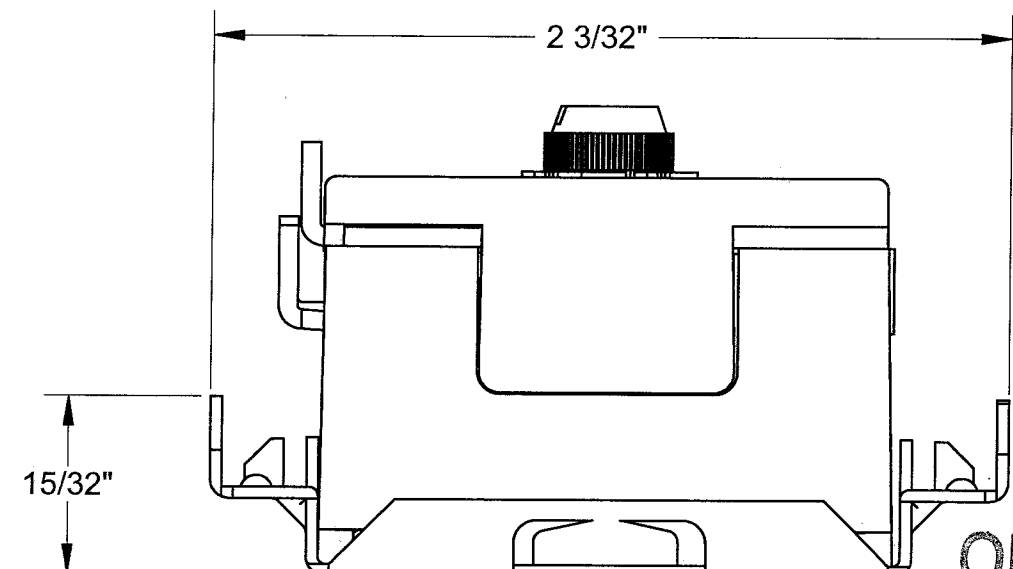
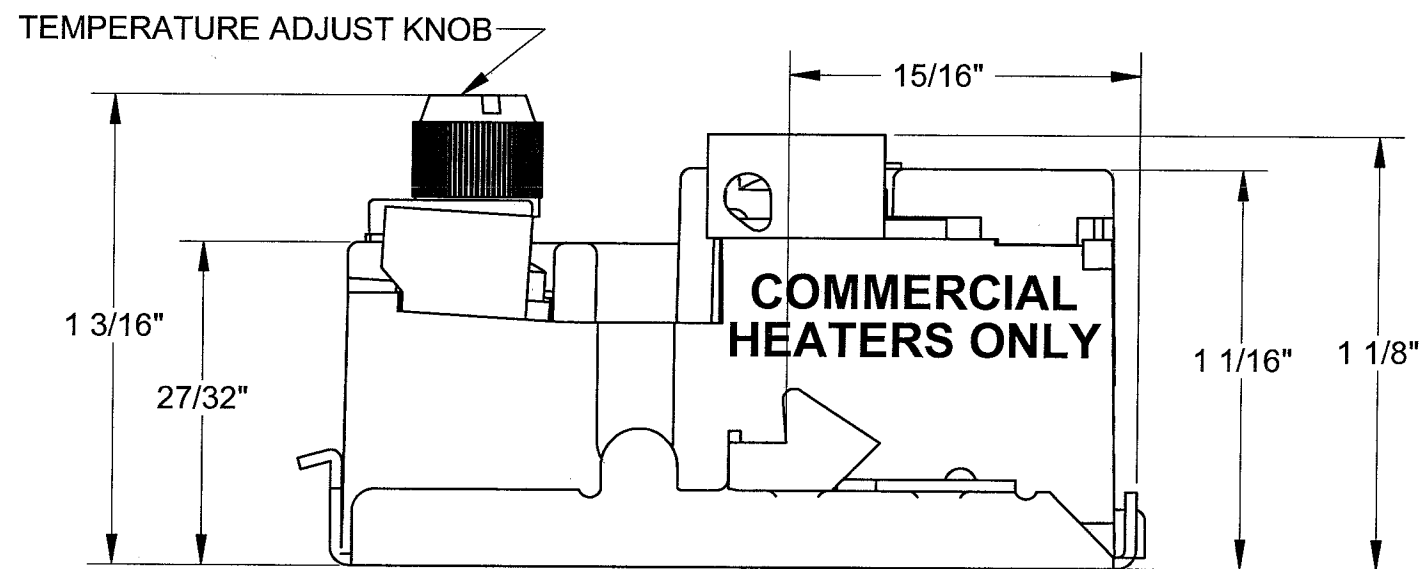



APCOM WH9C THERMOSTAT:

1. CALIBRATED TO 140±5°F AT "LO" INDICATOR SETTING.
2. TEMPT. RANGE: 135° TO 180°F.
3. TEMPT. DIFFERENTIAL: 7° TO 17°F BELOW CALIBRATION TEMPERATURE.
4. ELECTRICAL RATING: REF. COVER OF WH9C ON THIS DRAWING. U/L AND CSA AGENCY APPROVED.



ORIGINAL

PART NO. 700577-000 (21991)

MATERIAL:		 FRANKLIN, TN U.S.A. www.apcom-inc.com	
CONFIDENTIAL THIS DOCUMENT IS, AND CONTAINS, CONFIDENTIAL AND TRADE SECRET INFORMATION OF APCOM. THIS DOCUMENT IS LOANED FOR LIMITED PURPOSES ONLY, AND REMAINS THE PROPERTY OF APCOM. IT IS TO BE RETURNED UPON REQUEST, AND IN ALL EVENTS UPON COMPLETION OF THE PURPOSE OF THE LOAN. NEITHER IT, NOR THE INFORMATION IT CONTAINS, MAY BE REPRODUCED, USED, OR DISCLOSED TO PERSONS NOT HAVING A NEED TO KNOW CONSISTENT WITH THE PURPOSE OF THE LOAN, WITHOUT WRITTEN CONSENT OF APCOM.		UNSPECIFIED TOLERANCES: 2 PLACE DEC. ±.010 FRACT. ±1/32 3 PLACE DEC. ±.005 ANGLES ±2° ALL DIMENSIONS IN INCHES UNLESS OTHERWISE SPECIFIED. METRIC UNITS ARE DISPLAYED AS [XXX].	
DRAWN: E. WHEELER		CHECKED: <i>Jeff Baxter</i> 03/22/06 APPROVED: <i>[Signature]</i> 4/20/06	
DATE: 12/14/2005		SCALE: 2:1 DRAWING NUMBER: 700577-XXX	

00	A7362	INITIAL DRAWINGS	12/14/2005
REV.	DCN	DESCRIPTION	DATE