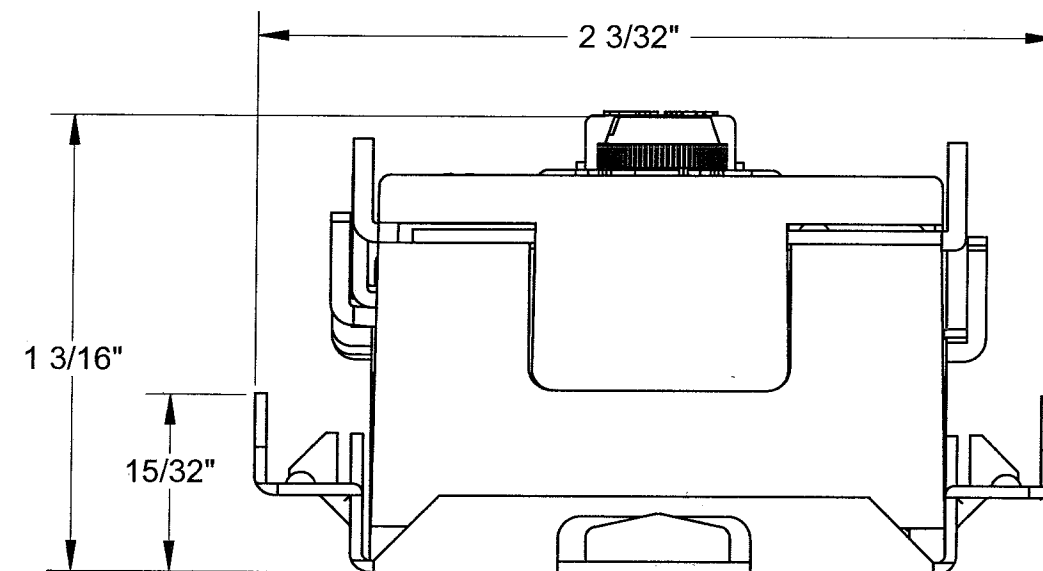
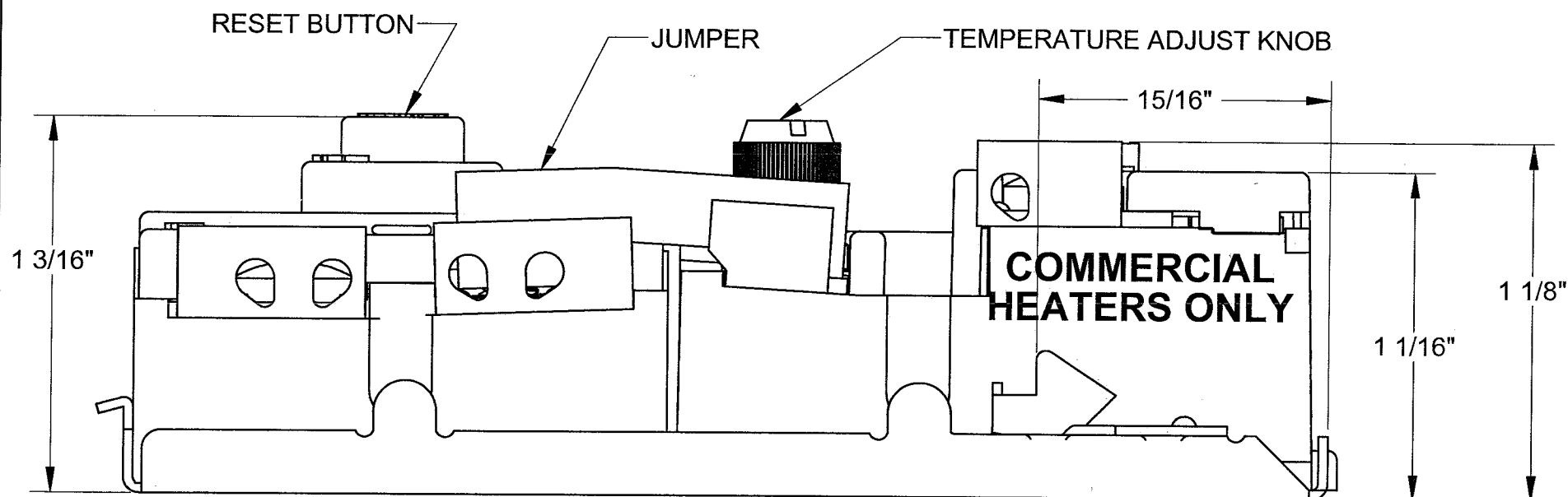


APCOM WL6200 HIGH LIMIT CONTROL:

1. OPEN TEMPERATURE: 200±5°F.
2. ELECTRICAL RATING: REF. COVER OF WL6 ON THIS DWG. U/L AND CSA AGENCY APPROVED.


APCOM WH10C THERMOSTAT:

1. CALIBRATED TO 140±5°F AT "LO" INDICATOR SETTING.
2. TEMPT. RANGE: 130° TO 180°F.
3. TEMPT. DIFFERENTIAL: 17° TO 27°F BELOW CALIBRATION TEMPERATURE.
4. ELECTRICAL RATING: REF. COVER OF WH10C ON THIS DRAWING. U/L AND CSA AGENCY APPROVED.



ORIGINAL

PART NO. 700588-000 (22005)

MATERIAL:		 FRANKLIN, TN U.S.A. www.apcom-inc.com	
CONFIDENTIAL THIS DOCUMENT IS, AND CONTAINS, CONFIDENTIAL AND TRADE SECRET INFORMATION OF APCOM. THIS DOCUMENT IS LOANED FOR LIMITED PURPOSES ONLY, AND REMAINS THE PROPERTY OF APCOM. IT IS TO BE RETURNED UPON REQUEST, AND IN ALL EVENTS UPON COMPLETION OF THE PURPOSE OF THE LOAN. NEITHER IT, NOR THE INFORMATION IT CONTAINS, MAY BE REPRODUCED, USED, OR DISCLOSED TO PERSONS NOT HAVING A NEED TO KNOW CONSISTENT WITH THE PURPOSE OF THE LOAN, WITHOUT WRITTEN CONSENT OF APCOM.		UNSPECIFIED TOLERANCES: 2 PLACE DEC. ±.010 FRACT. ±1/32 3 PLACE DEC. ±.005 ANGLES ±2° ALL DIMENSIONS IN INCHES UNLESS OTHERWISE SPECIFIED. METRIC UNITS ARE DISPLAYED AS [XXX]	
TITLE: THERMOSTAT, WH10CWL6200		CHECKED: <i>Jeff Baster</i> 03/22/06	APPROVED: <i>[Signature]</i> 4/2/06
DRAWN: E. WHEELER	DATE: 12/14/2005	SCALE: 2:1	DRAWING NUMBER: 700588-XXX

00	A7362	INITIAL DRAWINGS	12/14/2005
REV.	DCN	DESCRIPTION	DATE