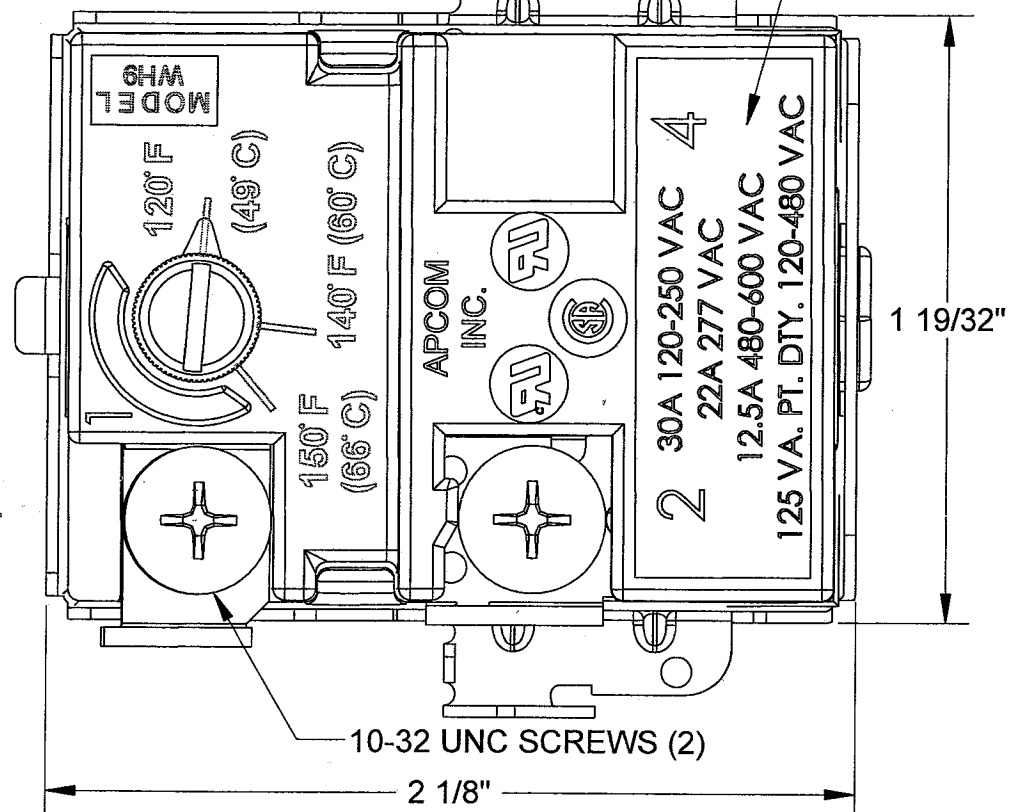


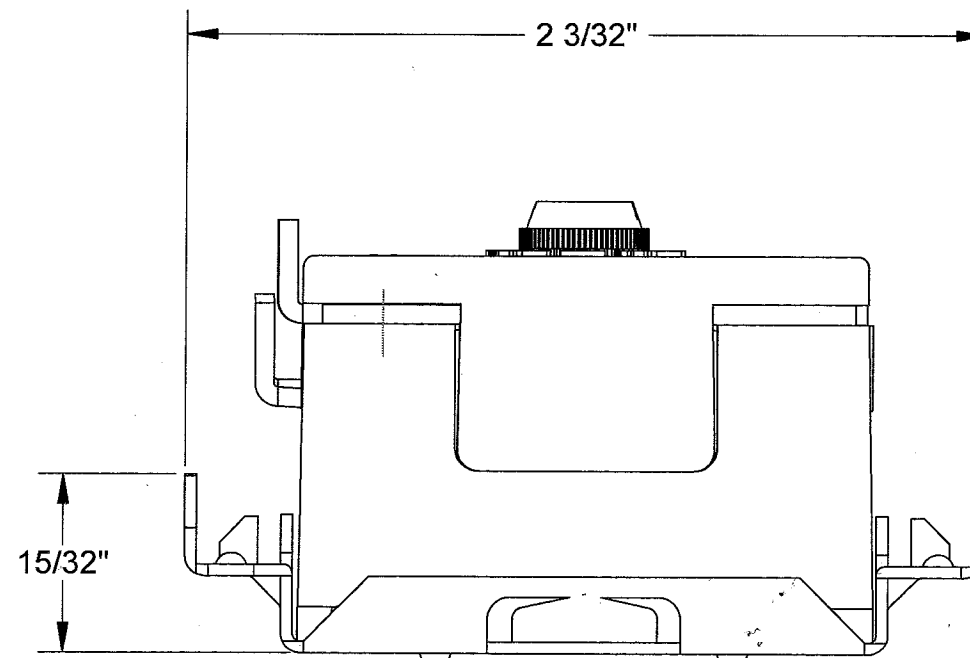
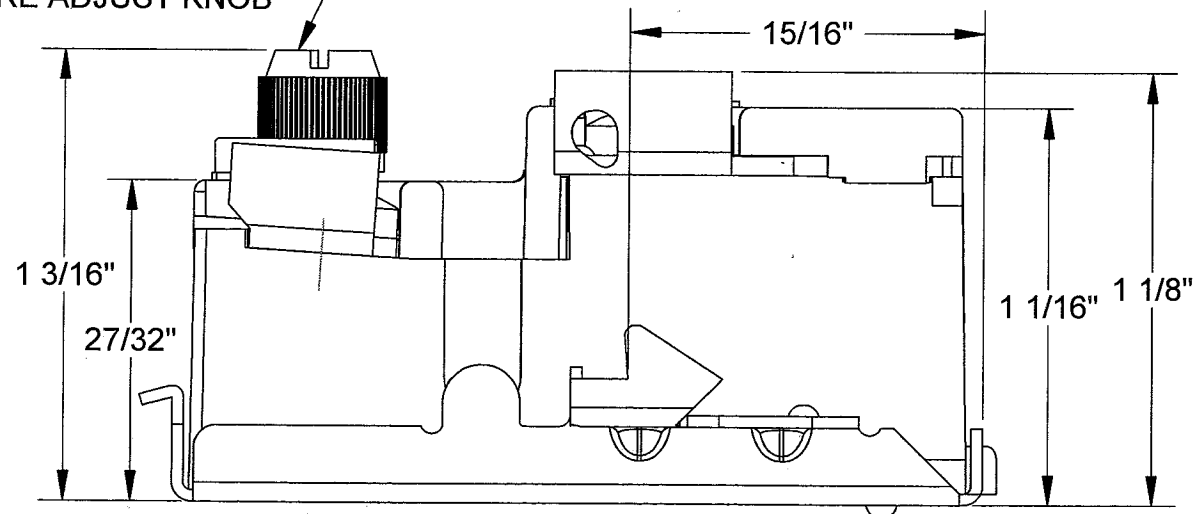
DATE CODE POSITION WH9 THERMOSTAT



APCOM WH9 THERMOSTAT:


1. CALIBRATED TO 120±5°F
2. TEMPT. RANGE: 110° TO 150°F.
3. TEMPT. DIFFERENTIAL: 7° TO 17°F BELOW CALIBRATION TEMPERATURE.
4. ELECTRICAL RATING: REF. COVER OF WH9 ON THIS DRAWING. U/L AND CSA AGENCY APPROVED.

TEMPERATURE ADJUST KNOB



ORIGINAL

REV.	DCN	DESCRIPTION	DATE
02	A8173	DELETE INKJET "L"	2/20/2007
01	A8119	700821 TO 700968 CAP	1/24/2007
00	A8046	INITIAL DRAWING	12/05/2006

MATERIAL:		 FRANKLIN, TN U.S.A. www.apcom-inc.com	
CONFIDENTIAL THIS DOCUMENT IS, AND CONTAINS, CONFIDENTIAL AND TRADE SECRET INFORMATION OF APCOM. THIS DOCUMENT IS LOANED FOR LIMITED PURPOSES ONLY, AND REMAINS THE PROPERTY OF APCOM. IT IS TO BE RETURNED UPON REQUEST, AND IN ALL EVENTS UPON COMPLETION OF THE PURPOSE OF THE LOAN.		UNSPECIFIED TOLERANCES: 2 PLACE DEC ±0.10 FRACT ±1/32 3 PLACE DEC ±0.005 ANGLES ±2° ALL DIMENSIONS IN INCHES UNLESS OTHERWISE SPECIFIED. METRIC UNITS ARE DISPLAYED AS [XXX].	
TITLE: THERMOSTAT, L WH9		CHECKED: <i>Jeff Baxter</i> 02/20/07 APPROVED: <i>[Signature]</i> 2/20/07	
DRAWN: MUNGUIA, J		SCALE: 2:1	
DATE: 2/20/2007		DRAWING NUMBER: 700806-XXX	

NEITHER IT, NOR THE INFORMATION IT CONTAINS, MAY BE REPRODUCED, USED, OR DISCLOSED TO PERSONS NOT HAVING A NEED TO KNOW CONSISTENT WITH THE PURPOSE OF THE LOAN, WITHOUT WRITTEN CONSENT OF APCOM.