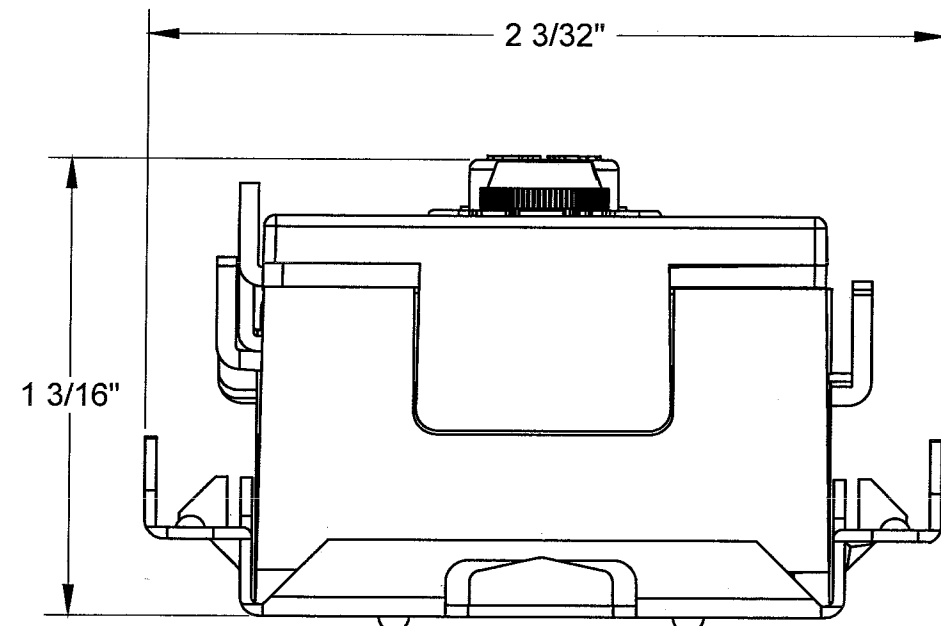
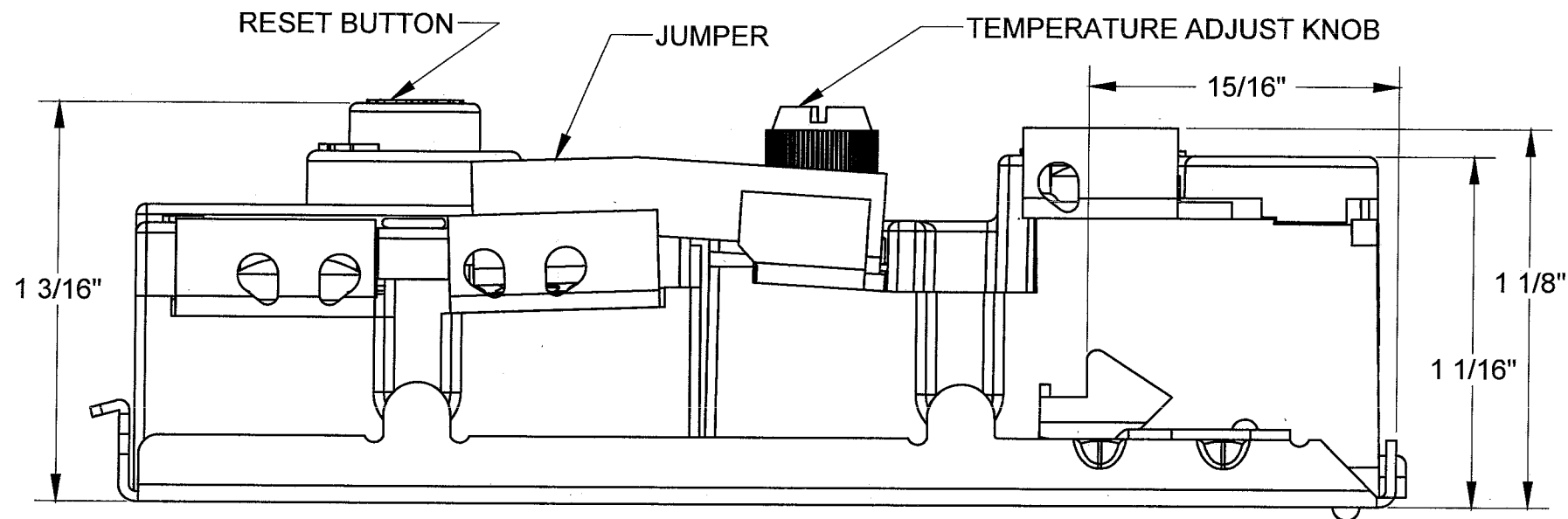


- APCOM WL6170 HIGH LIMIT CONTROL:**
1. OPEN TEMPERATURE: 170±5°F.
 2. ELECTRICAL RATING: REF. COVER OF WL6 ON THIS DWG. U/L AND CSA AGENCY APPROVED.

- APCOM WH9 THERMOSTAT:**
1. CALIBRATED TO 120±5°F.
 2. TEMPT. RANGE: 110° TO 150°F.
 3. TEMPT. DIFFERENTIAL: 7° TO 17°F BELOW CALIBRATION TEMPERATURE.
 4. ELECTRICAL RATING: REF. COVER OF WH9 ON THIS DRAWING. U/L AND CSA AGENCY APPROVED.



ORIGINAL
PART NO. 700807-000

MATERIAL:		FRANKLIN, TN U.S.A. www.apcom-inc.com	
CONFIDENTIAL THIS DOCUMENT IS, AND CONTAINS, CONFIDENTIAL AND TRADE SECRET INFORMATION OF APCOM THIS DOCUMENT IS LOANED FOR LIMITED PURPOSES ONLY, AND REMAINS THE PROPERTY OF APCOM. IT IS TO BE RETURNED UPON REQUEST, AND IN ALL EVENTS UPON COMPLETION OF THE PURPOSE OF THE LOAN.		UNSPECIFIED TOLERANCES: 2 PLACE DEC ±010 FRACT. ±1/32 3 PLACE DEC. ±.005 ANGLES ±2° ALL DIMENSIONS IN INCHES UNLESS OTHERWISE SPECIFIED. METRIC UNITS ARE DISPLAYED AS [XXX]	TITLE: THERMOSTAT, WH9WL6170
REV.	DCN	DESCRIPTION	DATE
01	A8119	700821 TO 700968 CAP	1/24/2007
00	A8037	INITIAL DWG	11/30/2006
DRAWN: W. DRENNAN		CHECKED: <i>Jeff Baxter</i> 01/25/07	APPROVED: <i>[Signature]</i> 1/24/07
DATE: 1/24/2007		SCALE: 2:1	DRAWING NUMBER: 700807-XXX