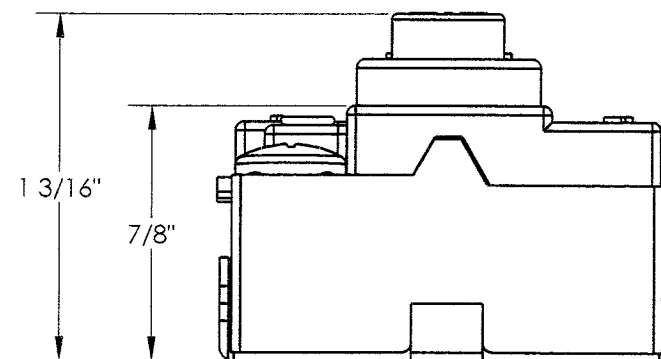
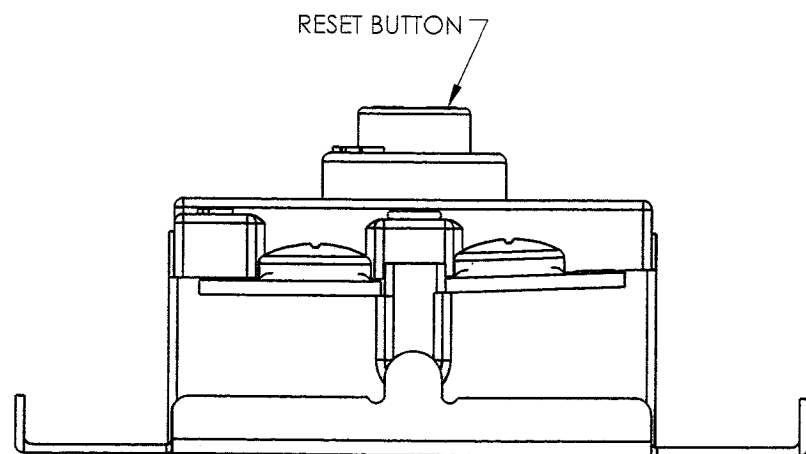



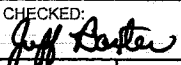

APCOM WL6 HIGH LIMIT CONTROL:

- A) OPEN TEMPERATURE: 200 ± 5° F
- B) ELECTRICAL RATING: REF. COVER OF WL6 ON THIS DWG. U/L AND CSA AGENCY APPROVED.



ORIGINAL

PART NO. 701110-000

MATERIAL:		 FRANKLIN, TN U.S.A. www.apcom-inc.com	
CONFIDENTIAL THIS DOCUMENT IS, AND CONTAINS, CONFIDENTIAL AND TRADE SECRET INFORMATION OF APCOM THIS DOCUMENT IS LOANED FOR LIMITED PURPOSES ONLY, AND REMAINS THE PROPERTY OF APCOM. IT IS TO BE RETURNED UPON REQUEST, AND IN ALL EVENTS UPON COMPLETION OF THE PURPOSE OF THE LOAN. NEITHER IT, NOR THE INFORMATION IT CONTAINS, MAY BE REPRODUCED, USED, OR DISCLOSED TO PERSONS NOT HAVING A NEED TO KNOW CONSISTENT WITH THE PURPOSE OF THE LOAN, WITHOUT WRITTEN CONSENT OF APCOM.		UNSPECIFIED TOLERANCES: 2 PLACE DEC. ±0.10 FRACT. ±1/32 3 PLACE DEC. ±0.005 ANGLES ±2° ALL DIMENSIONS IN INCHES UNLESS OTHERWISE SPECIFIED. METRIC UNITS ARE DISPLAYED AS [XXX]	
TITLE:		THERMOSTAT, WL6 L200	
DRAWN:		MUNGUIA, J	
DATE:		7/9/2008	
CHECKED:		 07/10/08	
APPROVED:		 7/10/08	
SCALE:		1:1	
DRAWING NUMBER:		701110-000	

REV.	DCN	DESCRIPTION	DATE
00	A8828	INITIAL DWG	7/3/2008